



# 260 & 265 DURAWALL® Shower Wall

## Thermoplastic • Deluxe



If you are looking for an upscale thermoplastic shower wall with all the most popular design features and a complete line of accessories to customize your installation... then Mustee's 260 and 265 DURAWALL® Shower Walls will meet your needs perfectly.

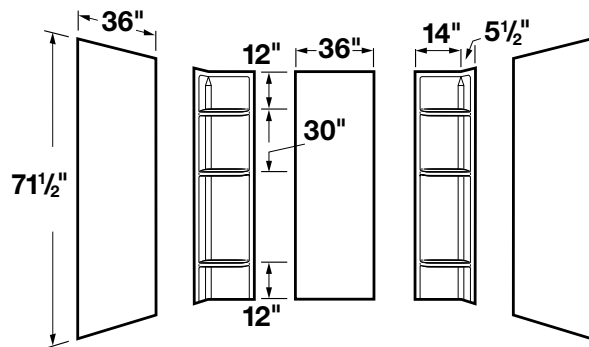
The Model 260 and 265 deliver quality thermoplastic construction, the convenience of adhesive mounting and a classic elegance that will create a handsome finished shower installation in any bathroom.

### 260 & 265 Features:

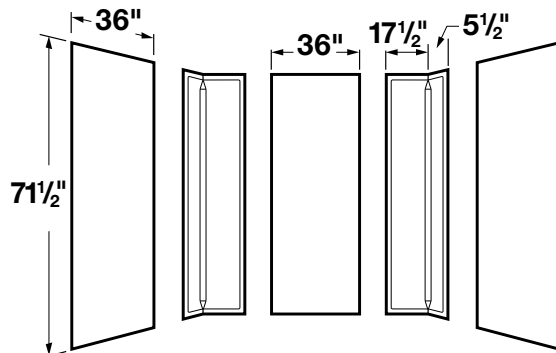
- Formed from high-grade thermoplastic
- Panels can be trimmed to simplify installation in out-of-plumb alcoves
- Five (5) panel wall system with seamless corner panels and overlapping edges, create a watertight wall surround.
- Adhesive mounts to drywall or like surfaces
- Smooth, colorfast glossy finish, resists scuffs.
- Ideal for new or remodel projects...fits DURABASE® Shower Floors as well as bases from other manufacturers.
- Designed to fit Mustee's 3060 ShowerTub™ 360 Barrier Free and 3739 Transfer Shower Floors.
- Mold and mildew-resistant...easy to clean
- STYLEMATE® or other shower enclosures easily mount to walls

### Specifications

#### MODEL 260



#### MODEL 265



### 260 Features:

- Fits alcove up to 60" wide and 40" deep.
- Includes six large, molded-in, self-draining shelves ideal for shampoo, soap, etc.
- Available in white or bone

### 265 Features:

- Fits alcove up to 71" wide and 41-1/2" deep.
- Fits 3865 Barrier-Free Shower Floor
- White only

Model	Color	Model	Color	Model	Color
260WHT	White	260BN	Bone	265WHT	White

**General:** Furnish and install as shown on plans, DURAWALL® Shower Walls model \_\_\_\_ (260WHT, 260BN, 265WHT) as manufactured by E.L. Mustee & Sons, Inc. Thermoplastic wall system shall be 5-piece construction with six formed shelves (260 only) and overlapping corner panels. Uniform color throughout entire thickness of each panel. Color: \_\_\_\_ (White - 260WHT & 265WHT; Bone - 260BN). Carton Contains: Center Panel, two end panels, two corner panels and instructions. Weight 32 lbs.

Requires five or more 11 oz. cartridges of panel adhesive labeled for bonding to Bathtub and Shower walls. Do not use adhesive containing tar, asphalt, lacquer thinner or toluene.



## 247 DURAWALL® Shower Walls

Thermoplastic · Deluxe · Fits Shower Alcoves Up to 48" Wide by 42" Deep



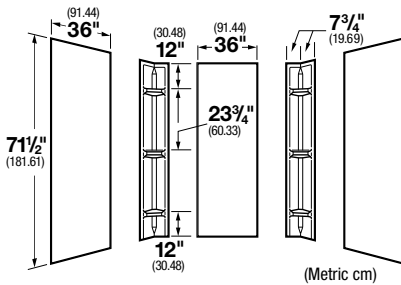
- Formed from high-grade thermoplastic
- Smooth, colorfast glossy finish, resists scuffs.
- Panels can be trimmed to simplify installation in out-of-plumb alcoves
- Ideal for new or remodel projects...fits DURABASE® Shower Floors and as well as bases from other manufacturers.
- Five (5) panel wall system with seamless corner panels and overlapping edges, create a watertight wall surround.
- Mold and mildew-resistant...easy to clean
- Adhesive mounts to drywall or like surfaces
- Available in white
- Includes six (6) large, molded-in, self-draining shelves
- STYLEMATE® or other shower enclosures easily mount to walls

### Specifications

Model	Color
247WHT	White

**General:** Furnish and install as shown on plans, DURAWALL® Shower Walls Model 247WHT as manufactured by E.L. Mustee & Sons, Inc. Thermoplastic wall system shall be 5-piece construction with six formed shelves and overlapping corner panels. Uniform color throughout entire thickness of each panel. Color: White. Carton Contains: Center Panel, two end panels, two corner panels and instructions. Weight 32 lbs.

Requires five (5) or more 11 oz. cartridges of panel adhesive labeled for bonding to Bathtub and Shower walls. Do not use adhesive containing tar, asphalt, lacquer thinner or toluene.



## 237 DURAWALL® Corner Shower Walls

Thermoplastic · Deluxe · Fits Side Walls Up to 42" Wide



- Formed from high-grade thermoplastic
- Smooth, colorfast glossy finish, resists scuffs.
- Fits corners up to 42" x 42" deep
- Ideal for new or remodel projects...fits DURABASE® Shower Floors and as well as bases from other manufacturers.
- Three (3) panel wall system with seamless corner panels and overlapping edges, create a watertight wall surround.
- Mold and mildew-resistant...easy to clean
- Adhesive mounts to drywall or like surfaces
- Available in white or bone
- Includes three (3) large, molded-in, self-draining shelves
- STYLEMATE® or other shower enclosures easily mount to walls

### Specifications

Model	Color	Model	Color
237WHT	White	237BN	Bone

**General:** Furnish and install as shown on plans, DURAWALL® Neo-Angle shower walls model \_\_\_\_ (237WHT, 237BN) as manufactured by E.L. Mustee & Sons, Inc. Thermoplastic wall system shall be 3-piece construction with three formed shelves and overlapping corner panels. Uniform color throughout entire thickness of each panel. Color \_\_\_\_ (White, Bone). Carton Contains: Corner Panel, two side panels and instructions. Weight 22 lbs.

Requires five (5) or more 11 oz. cartridges of panel adhesive labeled for bonding to Bathtub and Shower walls. Do not use adhesive containing tar, asphalt, lacquer thinner or toluene.

