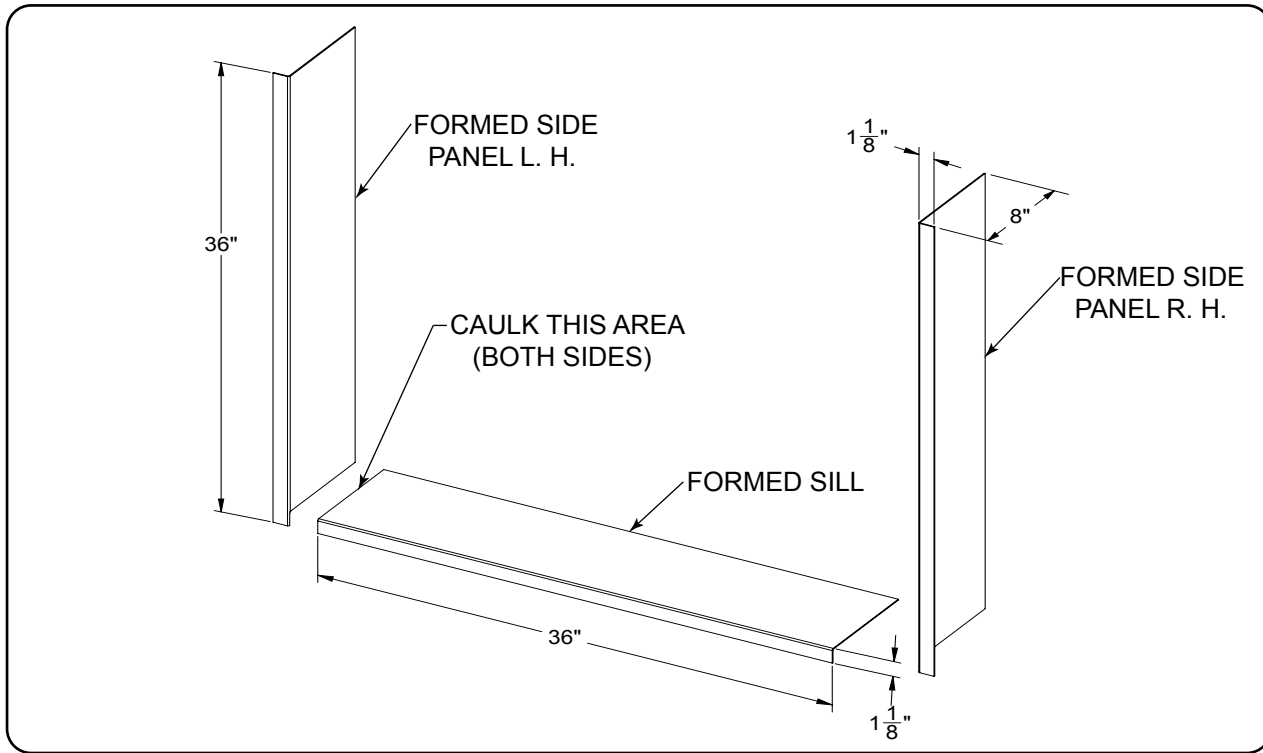


Window Kit



- Designed for Mustee Wall Surround or any other wall surround.
- Fits alcove windows up to 36" wide.
- Kit material can easily be trimmed with simple hand tools - no power tools required.
- Tool required (scissors, utility knife), ruler, adhesive, and caulk.

EASY TO INSTALL:

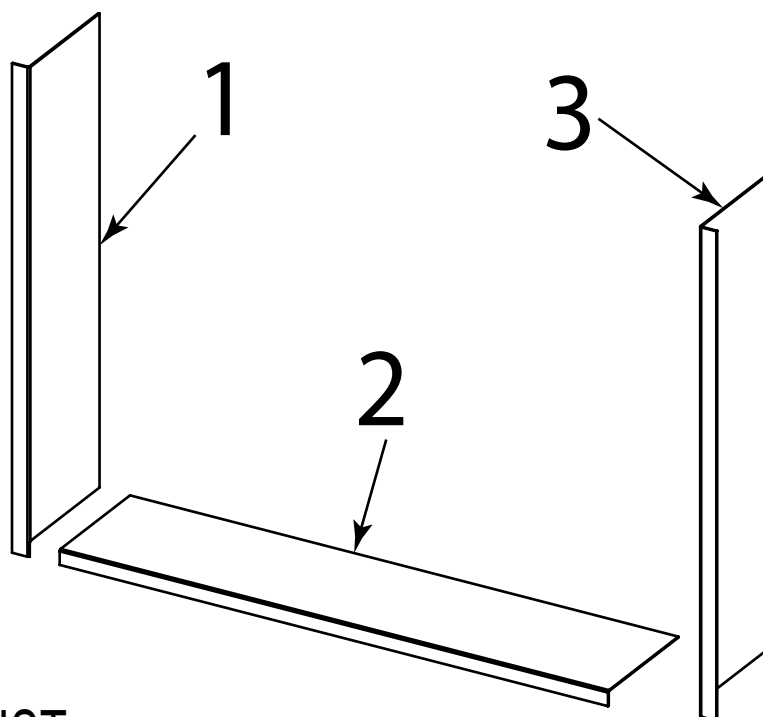
1. Remove original window molding or trim that protrudes into bath alcove area. Measure width and depth of sill - as measured to front face of window. Cut **Formed Sill** to fit, be sure bonding surface is clean, apply adhesive directly to surface, press **Formed Sill** in place.
2. Measure height of **Formed Side Panel** to align with top edge of wall surround (recommended), cut to height and depth. Be sure bonding surface is clean. Apply adhesive directly to surface, press **Formed Side Panel** in place. Repeat procedure for remaining **Formed Side Panel**. Block and brace as needed until adhesive sets up. (Approx. 24 Hours)
3. Caulk all seams as shown in illustration - smallest bead possible.

SPECIAL NOTICE!!

After cleaning excess adhesive with the proper material as specified by adhesive manufacturer - **IMMEDIATELY WASH UNIT COMPLETELY WITH A SOAP WATER SOLUTION.** This will neutralize any continuing chemical reaction between the solvent and window kit material. **FAILURE TO WASH AWAY SOLVENT MAY CAUSE BLEACHING OR LOSS OF COLOR IN WINDOW KIT MATERIAL**

MODEL 52.600W
PARTS ILLUSTRATION

DURATRIM™
Window Kit



PARTS LIST

KEY NO.	PART NUMBER	DESCRIPTION
1	52.606	Formed Side Panel - Left Hand
2	52.608	Formed Sill Panel
3	52.605	Formed Side Panel - Right Hand

Cleaning Note:

Most Stains that you may acquire may be removed with common household cleanser or liquid cleaner. Stubborn stains may be removed with a bleach solution - follow bleach manufacturers recommended procedures pertaining to safety, handling, and use of their product. A periodic coating of a quality silicone wax will retain the fine gloss finish of your Window Trim Kit as well as your Wall Surround.