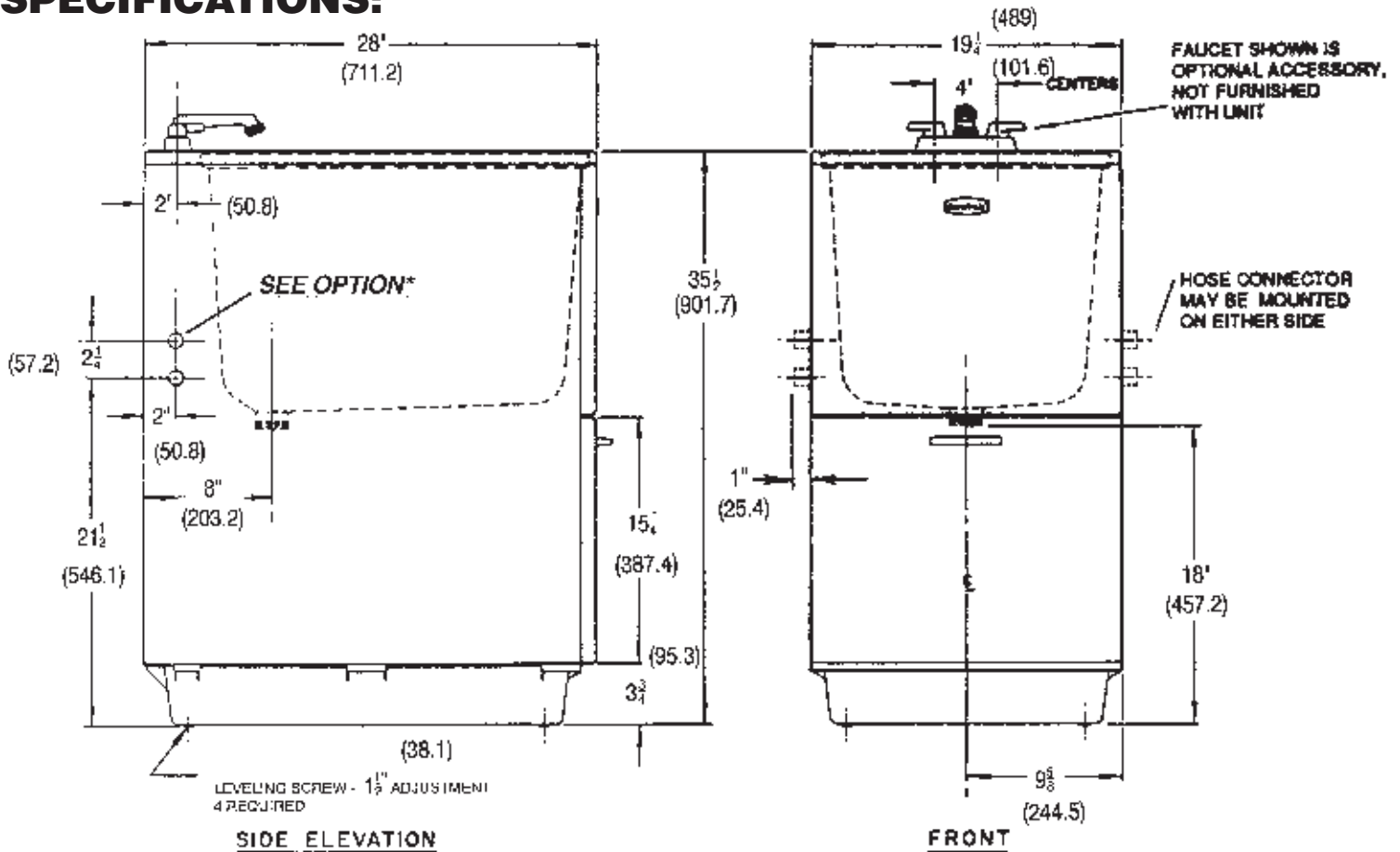


MODEL: 94 DURATUB®

CABINET STYLE SINGLE LAUNDRY TUB W/HANDIFLO® WASTE HOSE CONNECTOR



SPECIFICATIONS:



Dimensions shown in parenthesis () are metric equivalents in millimeters.

INSTALLATION:

- Determine which side of the cabinet the wash machine waste hose will be connected. Next, examine the pre-connected Hose (23) at the back of the tub. If the hose is going in the "right" direction, and the proper port, go to Step 2. If not, loosen the Hose Clamp (24) and rotate the hose to the opposite side. Retighten hose clamp.
- Remove Screw (22) and Speed Nut (10) from the Hose Mounting Plate (21). Insert tubes of mounting plate through holes in side of cabinet. Insert screw from the outside of panel, through mounting plate, into speed nut and tighten securely. Check Handiflo® hose to mounting plate connection, tighten securely.

Numbers in parenthesis () refer to KEY No's. in parts list on page 4.



Quality Plumbing Products

E.L. MUSTEE & SONS, INC.

5431 West 164th Street • Brook Park, Ohio 44142

SI-179 (09•08)

CAUTION

Do not subject tub or cabinet to direct torch flame while making sweat/solder connections —use compression fittings whenever possible. Check local plumbing codes for faucet and drain connection compliance.

3. Refer to the Faucet/Owners Manual for installing and connecting the faucet. If the cabinet will be placed flush against the wall use flexible supply lines or CPVC tubing and fittings.
4. Mount the faucet on the back ledge of Rim (2). Bring the supply lines from the faucet through the hole in the Back Panel (19). Move the cabinet into position and complete the faucet connection after leveling the cabinet with Leveling Screws (15) provided; lock in place with Nuts (14). (See Figure 1).
5. Make final sanitary drain connections in full compliance with local code requirements.

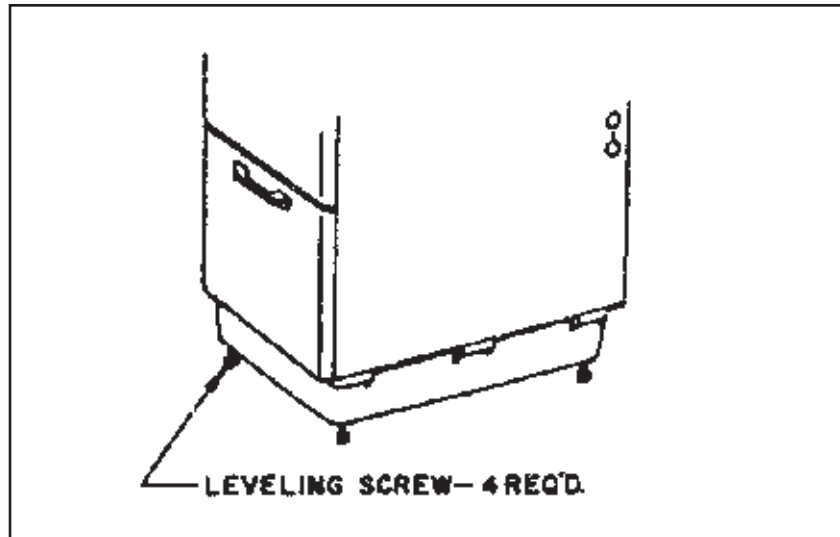
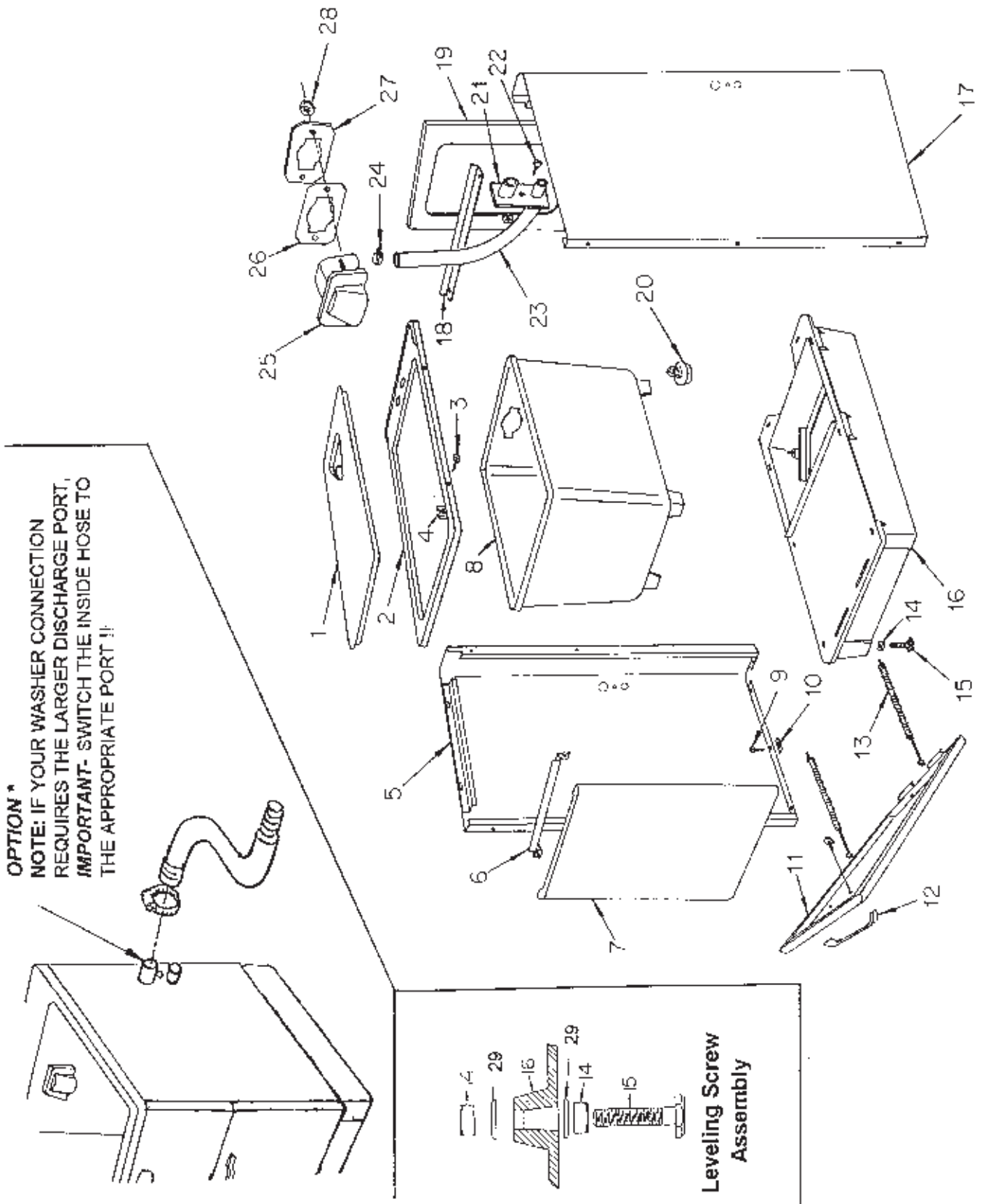


Figure 1

CARE AND MAINTENANCE

Most stains that you may acquire in your Duratub® Cabinet Style Laundry Tub may be removed with common household cleanser or liquid cleaner. Stubborn stains in the tub compartment may be removed with a bleach solution — follow bleach manufacturers' recommended procedures pertaining to safety, handling and use of their product. Use mild soap to clean the painted surfaces. Do not use abrasive powders or steel wool! Paint, tar or stains on the cabinet should be removed with an automotive "Bug and Tar" remover. A periodic coating of a quality automotive polish will help retain the fine finish of the cabinet.

PARTS ILLUSTRATION



* FACTORY HOSE CONNECTION IS TO SMALLER PORT ----- 1" DIAMETER, SEE "OPTION"

MODEL: 94 DURATUB®

CABINET STYLE SINGLE LAUNDRY TUB W/HANDIFLO® WASTE HOSE CONNECTOR

PARTS LIST

KEY NUMBER	WHITE CABINET	DESCRIPTION
1	92.200	Cover-Molded
2	91.201	Rim
3	91.818	Oval Head Screw, No. 8a x 1/2" (6 Required)
4	91.807	Speed Nut (10 Required)
5	95.302	Side Panel, Left Hand
6	95.306	Top Front Panel Brace
7	95.308	Top Front Panel
8	92.101	Co-Polymer Tub
9	91.804	Round Head Screw No. 10 x 1/2" (18 Required)
10	91.805	Speed Nut (15 Required)
11	95.310	Door Panel Assembly
12	95.803	Door Handle with Screws
13	95.600	Retainer Spring (2 Required)
14	91.801	Nut, 1/4"-20 (8 Required)
15	10.207	Leveling Screw, 1/4"-20 x 1-1/2" (4 Required)
16	93.404	Base Assembly
17	95.301	Side Panel, Right Hand
18	91.307	Rear Angle Tub Support
19	91.309	Back Panel
20	23.303	Stopper, 1-1/2" Diameter
21	94.708	Hose Mounting Plate
22	91.803	Truss Head Screw, No. 10A x 1/2"
23	93.702	Rubber Hose
24	93.701	Hose Clamp (2 Required)
25	94.700A	Handiflo® Assembly
26	94.302	Gasket
27	92.706	Mounting Plate
28	94.802	Hex Nut, 1/4"-20 (2 Required)
29	26.803	1/4" Flat Washer (2 Req'd. per Leveling Screw)



Quality Plumbing Products

E.L. MUSTEE & SONS, INC.

5431 West 164th Street • Brook Park, Ohio 44142

SI-179 (09•08)