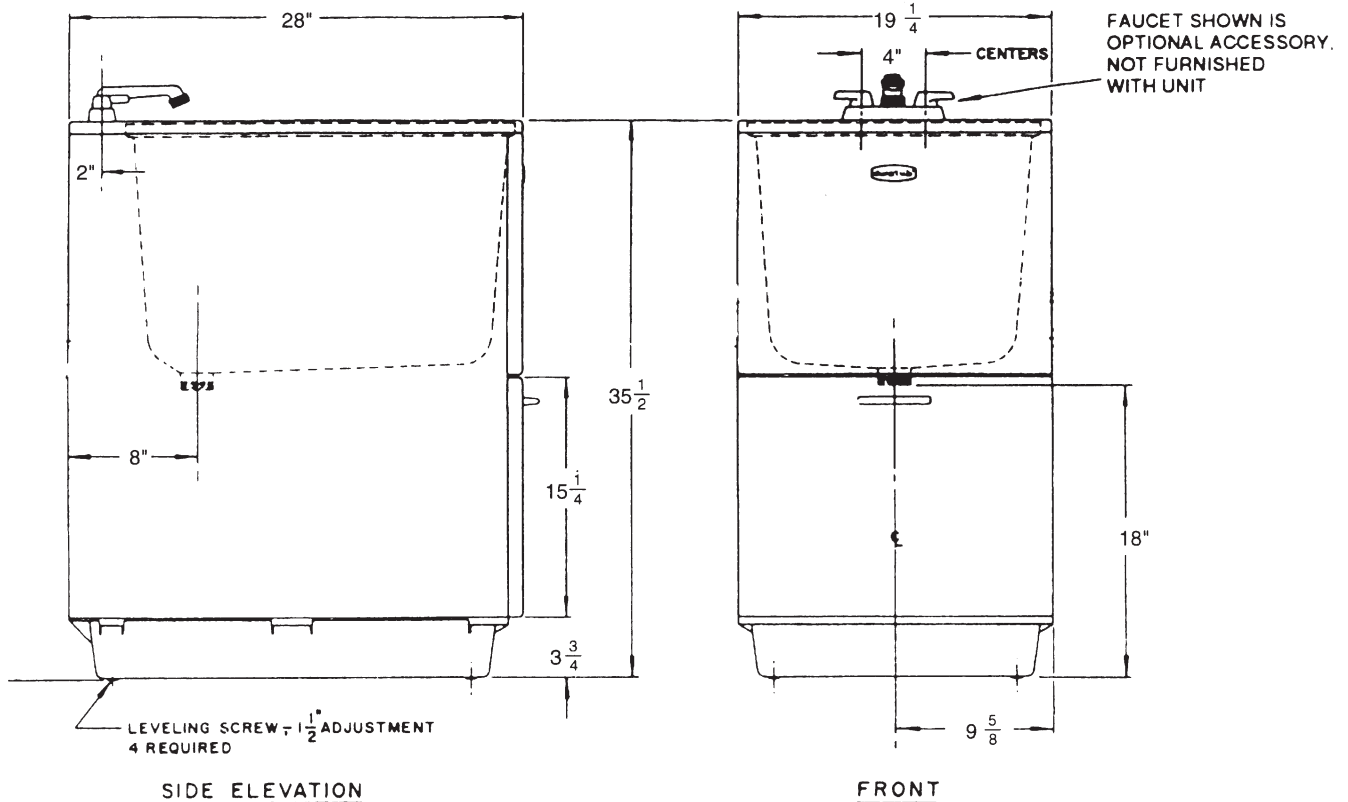


MODEL NO. 91



CABINET STYLE • SINGLE LAUNDRY TUB

SPECIFICATIONS



UNPACKING:

Close top flaps and turn carton upside down and open bottom flaps. Tub cover (1) is beneath cardboard along side panel and should be removed through opening of base. Leave bottom flaps open and turn tub right side up. Remove corner pieces and lift carton from tub.

INSTALLATION:

CAUTION

Do not subject tub or cabinet to direct torch flame while making plumbing connections. Check local plumbing codes for faucet and drain connections.

Refer to the faucet owners manual for installing and connecting the faucet. If the cabinet will be placed flush against the wall use flexible supply pipes or galvanized pipe. There will not be enough space to solder copper piping without damaging the tub or cabinet.

Mount the faucet on the tub deck. Bring the supply lines from the faucet through the hole on the side (either right or left) of the cabinet. Move the cabinet into position and complete the faucet connection.

Level the base before tightening. (See Fig. 1)

Complete the installation by connecting drain.

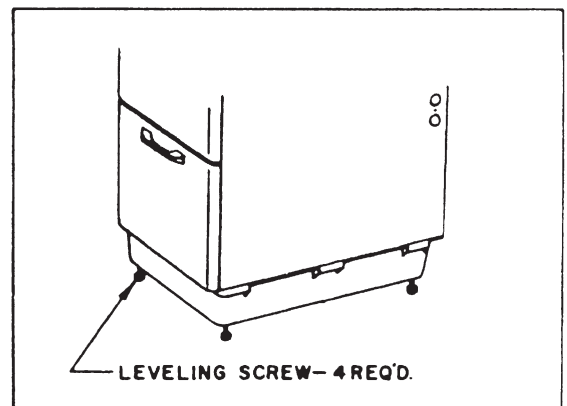
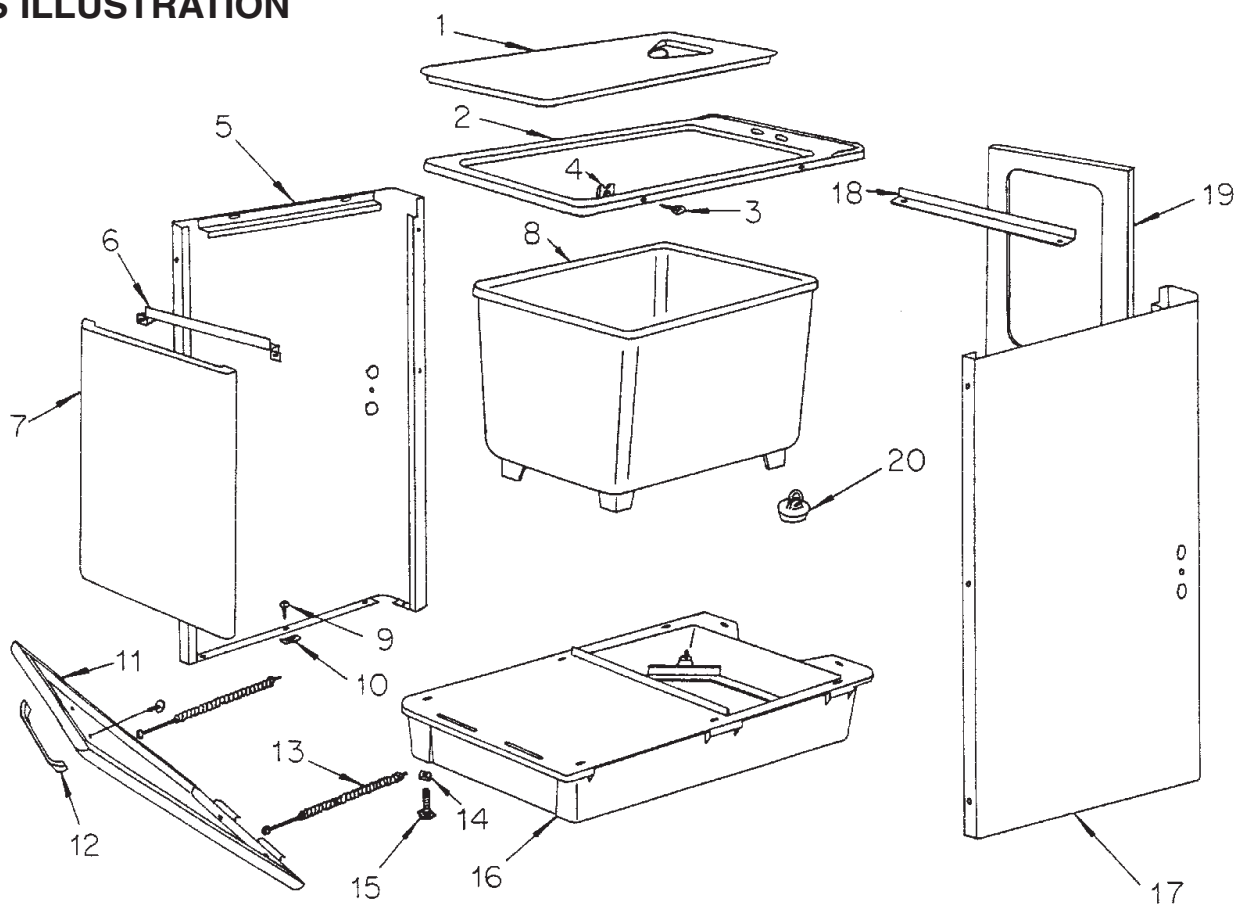


FIG. 1

PARTS ILLUSTRATION



PARTS LIST

KEY NUMBER	PART NO.	DESCRIPTION
	WHITE CABINET	
1	92.200	Cover-Molded
2	91.201	Rim
3	91.818	Oval Head Screw, No. 8a x 1/2" (6 Required)
4	91.807	Speed Nut (10 Required)
5	95.302	Side Panel, Left Hand
6	95.306	Top Front Panel Brace
7	95.308	Top Front Panel
8	91.101	Co-Polymer Tub
9	91.804	Slotted Round Head Screw No. 10 x 1/2" (18 Required)
10	91.805	Speed Nut (14 Required)
11	95.310	Door Panel Assembly
12	95.803	Door Handle with Screws
13	95.600	Retainer Spring (2 Required)
14	91.801	Nut, 1/4"-20 (4 Required)
15	10.207	Leveling Screw, 1/4"-20 x 1-1/2" (4 Required)
16	93.404	Base Assembly
17	95.301	Side Panel, Right Hand
18	91.307	Rear Angle Tub Support
19	91.309	Back Panel
20	23.303	Stopper, 1-1/2" Diameter

E.L. MUSTEE & SONS, INC.

5431 West 164th Street • Brook Park, Ohio 44142

SI-74 (02•15)