

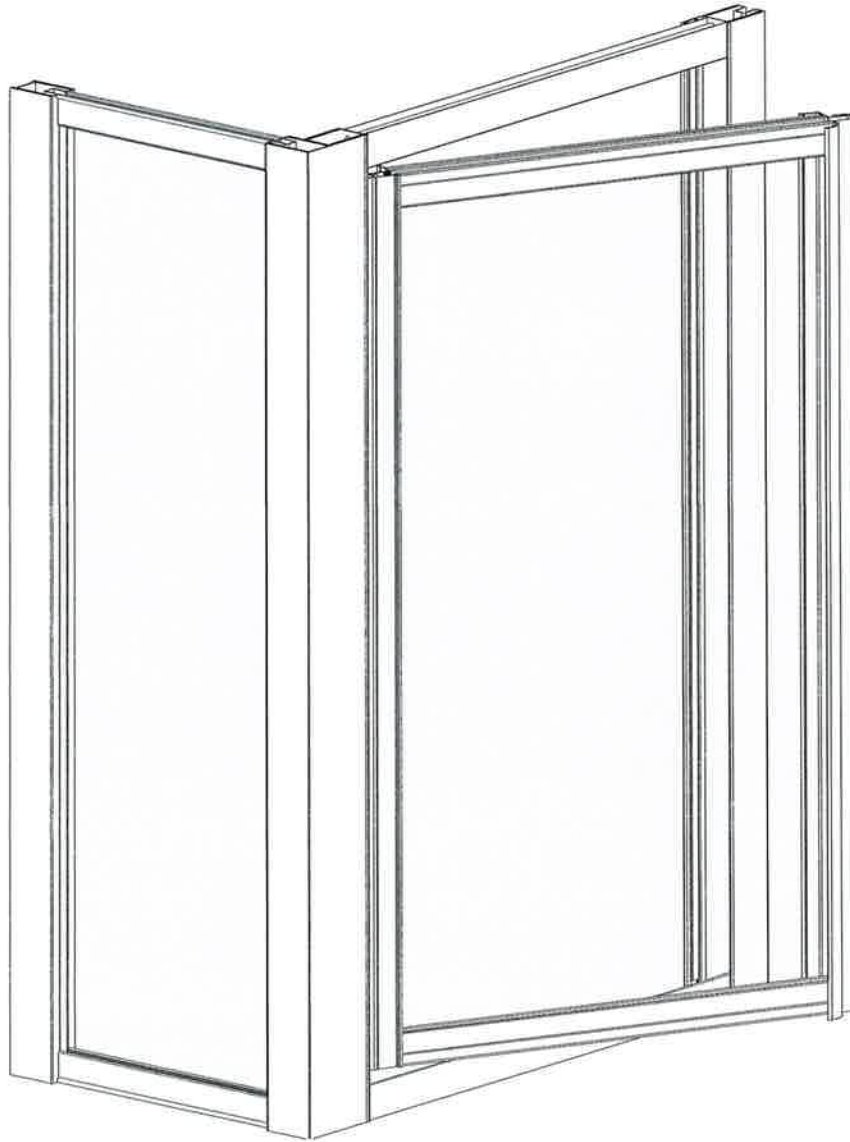
E. L. MUSTEE & SONS, INC.

5431 West 164th Street Cleveland, Ohio 44142

Should you have any problems with this Shower Door, please contact us at:

COASTAL INDUSTRIES INC.
P.O. Box 16901
Jacksonville FL 32245
Phone: 1-800-874-8601
Fax: 1-904-641-1697

Legend **CORNER UNIT** **INSTALLATION INSTRUCTIONS**



TOOLS / MATERIALS NEEDED

3/16" DRILL BIT	LEVEL	MEASURING TAPE	CENTER PUNCH	SAFETY GLASSES
ELECTRIC DRILL	HAMMER	PENCIL / FELT TIP PEN	PHILLIPS SCREW DRIVER	CLEAR CAULKING OR SEALANT (MILDEW RESISTANT)

EXPLODED VIEW OF LEGEND w/ 1 END PANEL

(LEFT HAND PIVOT SHOWN)



PARTS LIST

KEY LETTER	PART NUMBER	DESCRIPTION	QUANTITY
A	404	WALL JAMB (door side)	1
B	401	WALL JAMB (end panel side)	1
C	—	END PANEL ASSEMBLY	
c1	235	Panel Rails	2
c2	404	Panel Stiles	1
c3	425	Corner Post	1
c4	6112PHS	Panel Assembly Screws (not shown)	4
c5	C154B	Panel Glazing Vinyl (not shown)	—
c6	405	Panel Stile	1
D	—	DOOR FRAME ASSEMBLY	1
d1	440	Door Frame Header / Sill	2
d2	443	Door Frame Hinged Post	1
d3	442	Door Frame Strike Post	1
d4	227	Door Panel Rails	2
d5	154	Door Panel Hinged Stile	1
d6	226	Door Panel Strike Stile	1
d7	CP156	Pivot Bushing (not shown)	2
d8	98-42	Magnetic Strips (not shown)	2
d9	5112FHSL	Door Panel Assembly Screw (not shown)	4
d10	634PHS	Door Frame Assembly Screw (not shown)	4
d11	C 173 B	Door Glazing Vinyl (not shown)	—
d12	C 176 B	Vinyl Sweep	1
E	8112	#8 x 1-1/2" PAN HEAD PHILLIPS SCREW	6
F	—	designation not used	—
G	812QPT	#8 x 1/2" SELF DRILLING PHILLIPS SCREW	9
H	—	(designation not used)	—
J	—	(designation not used)	—
K	1329	Plastic Screw Anchors	6

STEP 1

Position and Install Wall Jamb

Determine and mark the curb centerline, as shown in figure 1.

Before installing Wall Jamb . . . note that there are two(2) Wall Jamb . . . one panel side (B) and one door side(A).

Position the Wall Jamb up against their respective wall and center them on the curb centerline marks, as shown in figure 1. Plumb the Wall Jamb and pencil mark their installation hole locations on the shower walls.

Remove the Jamb and drill 1-1/2" deep installation holes in the locations previously marked. Use a 3/16" masonry or ceramic bit when drilling thru ceramic tile, marble or any masonry type surface. Insert Plastic Screw Anchors (K).

Reposition Wall Jamb as before and secure to shower walls using 8112 Installation Screws (E).

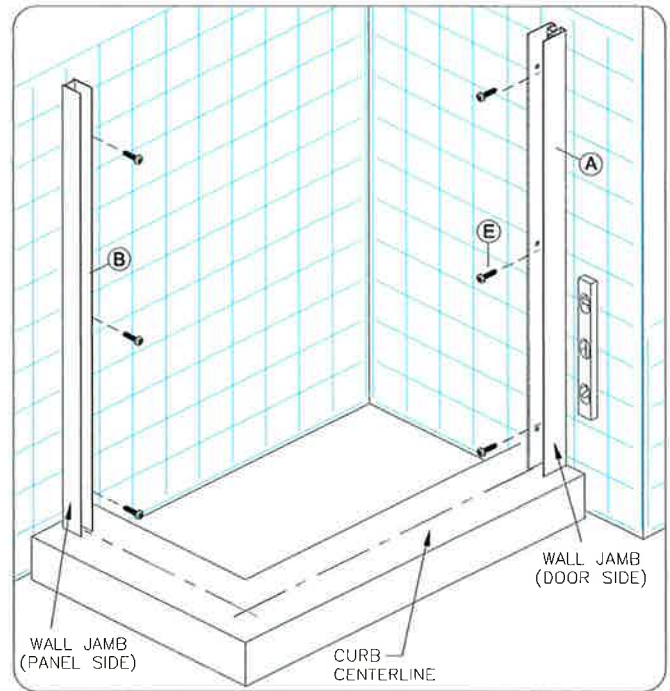


figure 1

STEP 2

Install Door Frame Assembly

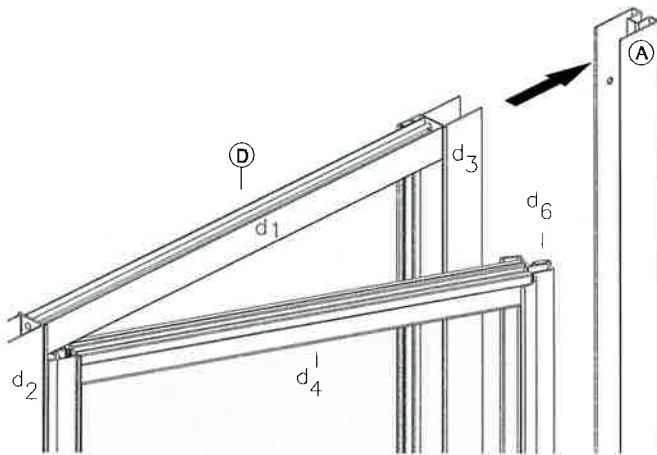


figure 2

Lift the Door Frame Assembly (D) onto the base curb and insert it into Wall Jamb (A) as shown in figure 2.

Note:

Figure 2 shows Door Strike (d6) on wall side and Hinge Post (d2) on End Panel side, if you want your door to strike on the End Panel side, cartwheel the Door Assembly 180 degrees.

STEP 3

Install Corner Post and End Panel Assembly

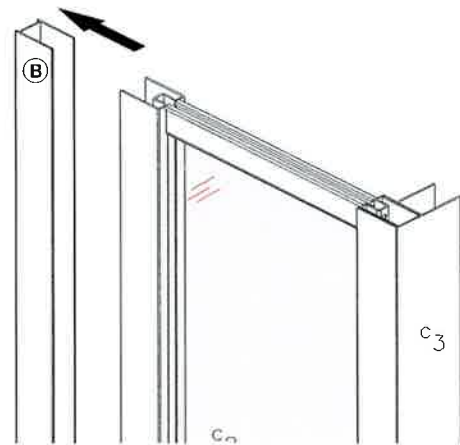


figure 3

Lift the End Panel onto the base curb and insert it into Wall Jamb (B) as shown.

STEP 4

Engage Door and End Panel Assemblies

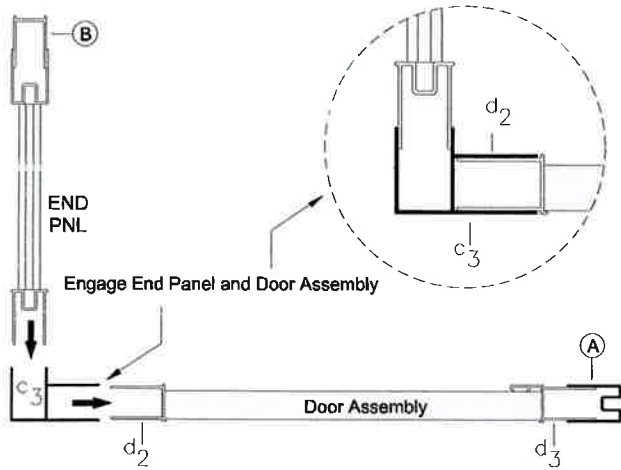


figure 4

Engage the Corner Post (c3) and the Door Assembly (d2) to engage their full length as shown in figure 4 above

STEP 5

Adjust Assemblies along curb and secure Unit

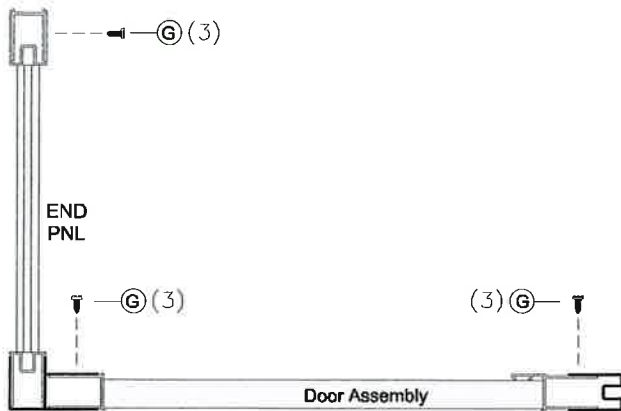


figure 5

Secure Door Assembly to Corner Post using three(3) 812QPT self drilling phillips screws (G) making sure it engaged as per figure 4.

Next, secure the Door and Panel Assemblies to their respective Wall Jamb using six(3) 812QPT self drilling phillips screws (G).

STEP 6

Caulk Unit

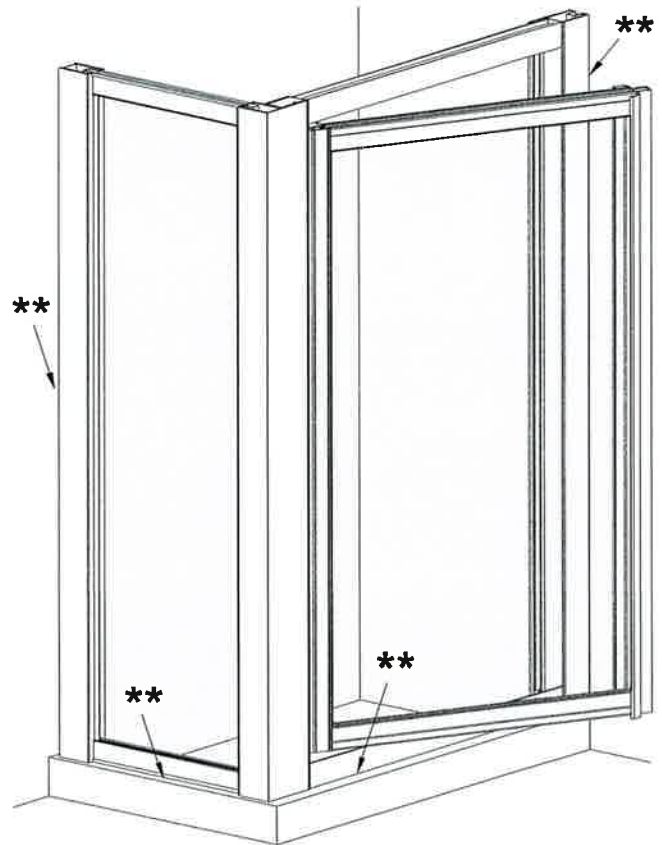


figure 6

TO INSURE A LEAK PROOF INSTALLATION:

**Run a bead of clear mildew resistant caulking around the outside of shower enclosure where shower unit meets the shower base and where Wall Jamb meet wall (see figure 6).

Carefully follow caulking manufacturer's instructions before using shower.